



**LEADING  
BY DESIGN**

# AWG08

## Audio Warning Generator



**A flexible, functional audio warning solution designed with the pilot and integrator in mind.**

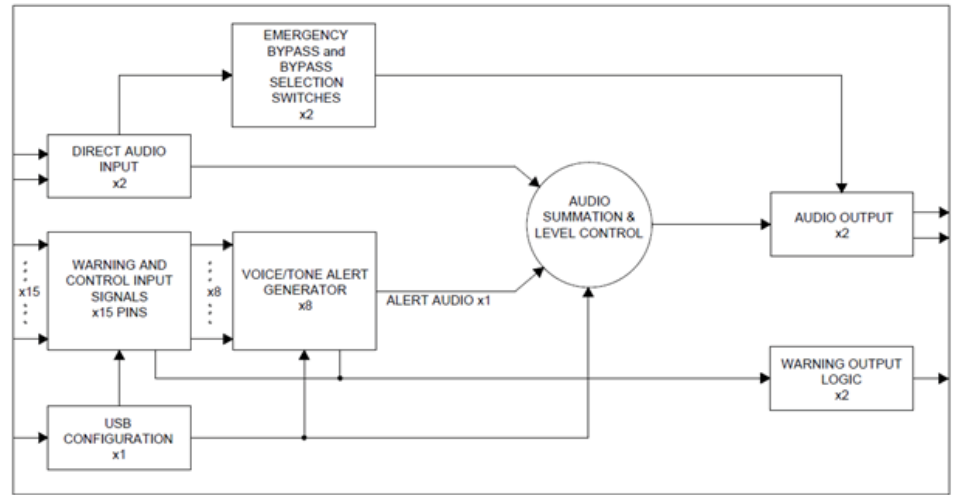
AEM's AWG08 is your flexible solution for audio warnings. Our advanced audio warning generator is capable of providing up to eight separate tones or voice warnings, via two fully isolated outputs. We addressed limitations common to aircraft audio systems by way of two isolated inputs, allowing existing system-warning audio to be summed internally with the AWG08 generated warnings.

Certified to CAN-TSO-C139a, the AWG08 meets our customer's high standards for top-quality avionics. Valuable customer feedback led to new features on this product, making the AWG08 a genuinely customizable solution for OEMs, technicians, and pilots alike.

Adaptable features make the AWG08 an asset to both pilot and integrator. A USB input as well as intuitive application software make this audio warning generator field-programmable and versatile for a variety of applications and installations, without the need for a customized solution.

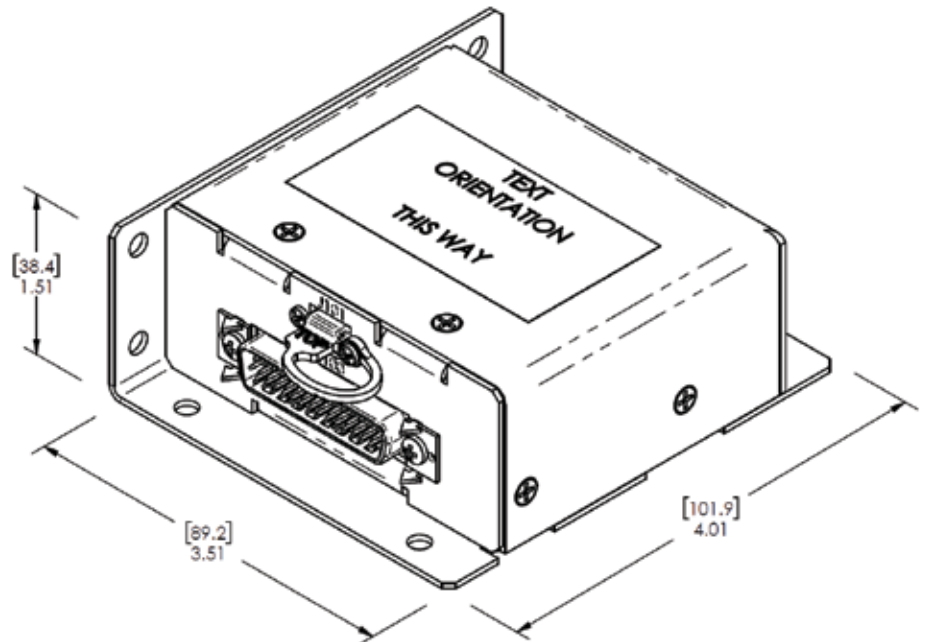
## AWG08 Features:

- Industry leading with eight 90-second slots
- Qualified to DO-160G and DO-214A
- CAN-TSO-C139a (pending)
- Field-programmable via USB input and intuitive application software
- Priority warning management
- Dual, isolated audio outputs
- Dual, configurable audio inputs



### AWG08 MECHANICAL SPECS

HEIGHT	1.51"
WIDTH	3.51"
LENGTH	4.01"
WEIGHT	0.7 LBS



For more details, please email [newproducts@aem-corp.com](mailto:newproducts@aem-corp.com) and see Installation & Operation manuals on our website: [aem-corp.com](http://aem-corp.com)

**LEADING  
BY DESIGN**